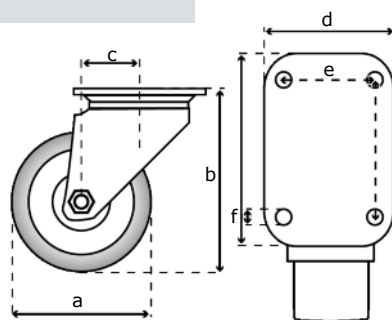


RNY1 Series

An all-purpose, robust range of medium duty pressed steel, zinc plated castors. Top plate and Single bolt hole fitting options combined with injection moulded Nylon 6 natural colour wheels make these ideal for most manual handling applications. Suitable for use on compacted surfaces such as cement, stone tile, metallic and epoxy resin flooring, and recommended for the food industry, Temperatures -30°C to +80°C.

Top Plate fit Swivel



a) Wheel diameter b) Overall height
c) Offset d) Top plate dimensions
e) Fixing Centres f) Bolt hole diameter

Wheel Dia. (mm)	Tread Width (mm)	Overall Height (mm)	Load Cap. (kg)	Offset (mm)	Bearing Type	Fitting Dimensions			Part Number
						Top Plate (mm)	Fixing Centres (mm)	Fitting bolts (mm)	
80	30	107	180	39	Roller	100 x 85	80 x 60	9	MS80RNY11
100	30	128	200	37	Roller	100 x 85	80 x 60	9	MS100RNY11
125*	40	156	220	39	Roller	100 x 85	80 x 60	9	MS125RNY11
150*	45	194	300	56	Roller	140 x 110	105 x 80	11	MS150RNY11
175	45	217	300	56	Roller	140 x 110	105 x 80	11	MS175RNY11
200	50	240	300	56	Roller	140 x 110	105 x 80	11	MS200RNY11

* Alternative sized Top plates available - call Sales for details

Top Plate fit Fixed

Wheel Dia. (mm)	Tread Width (mm)	Overall Height (mm)	Load Cap. (kg)	Bearing Type	Fitting Dimensions			Part Number
					Top Plate (mm)	Fixing Centres (mm)	Fitting bolts (mm)	
80	30	107	180	Roller	100 x 85	80 x 60	9	MF80RNY11
100	30	128	200	Roller	100 x 85	80 x 60	9	MF100RNY11
125*	40	156	220	Roller	100 x 85	80 x 60	9	MF125RNY11
150*	45	194	300	Roller	140 x 110	105 x 80	11	MF150RNY11
175	45	217	300	Roller	140 x 110	105 x 80	11	MF175RNY11
200	50	240	300	Roller	140 x 110	105 x 80	11	MF200RNY11

* Alternative sized Top plates available - call Sales for details

Top Plate fit Braked



Wheel Dia. (mm)	Tread Width (mm)	Overall Height (mm)	Load Cap. (kg)	Offset (mm)	Bearing Type	Brake Swivel Radius (mm)	Fitting Dimensions			Part Number
							Top Plate (mm)	Fixing Centres (mm)	Fitting bolts (mm)	
80	30	107	180	39	Roller	120	100 x 85	80 x 60	9	MB80RNY11
100	30	128	200	37	Roller	120	100 x 85	80 x 60	9	MB100RNY11
125*	40	156	220	39	Roller	120	100 x 85	80 x 60	9	MB125RNY11
150	45	194	300	56	Roller	156	140 x 110	105 x 80	11	MB150RNY11
175	45	217	300	56	Roller	156	140 x 110	105 x 80	11	MB175RNY11
200	50	240	300	56	Roller	156	140 x 110	105 x 80	11	MB200RNY11

* Alternative sized Top plates available - call Sales for details

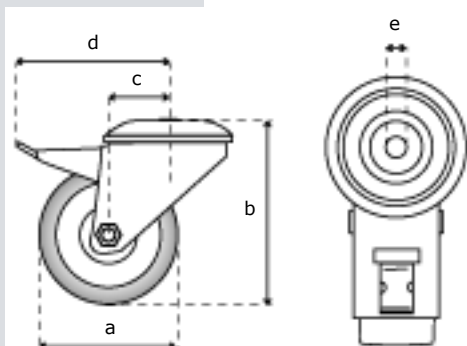
RNY1 Series

Continued



Single Bolt Hole fit Swivel

Wheel Dia. (mm)	Tread Width (mm)	Overall Height (mm)	Load Cap. (kg)	Offset (mm)	Bearing Type	Fitting Dimensions		Part Number
						Bolt Hole Plate Dia. (mm)	Fitting bolts (mm)	
80	30	107	180	39	Roller	73	12	MS80RNY21
100	30	128	200	37	Roller	73	12	MS100RNY21
125	40	156	220	39	Roller	73	12	MS125RNY21
150	45	188	300	56	Roller	102	20	MS150RNY21
175	45	212	300	56	Roller	102	20	MS175RNY21
200	50	236	300	56	Roller	102	20	MS200RNY21



Single Bolt Hole fit Braked

Wheel Dia. (mm)	Tread Width (mm)	Overall Height (mm)	Load Cap. (kg)	Offset (mm)	Bearing Type	Brake Swivel Radius (mm)	Fitting Dimensions		Part Number
							Bolt Hole Plate Dia. (mm)	Fitting bolts (mm)	
80	30	107	180	39	Roller	120	73	12	MB80RNY21
100	30	128	200	37	Roller	120	73	12	MB100RNY21
125	35	156	220	39	Roller	120	73	12	MB125RNY21
150	45	188	300	56	Roller	156	102	20	MB150RNY21
175	45	212	300	56	Roller	156	102	20	MB175RNY21
200	50	236	300	56	Roller	156	102	20	MB200RNY21

a) Wheel diameter b) Overall height c) Offset
d) Swivel radius e) Bolt hole diameter



All wheels quoted have Roller bearings. Plain or Ball bearing bore wheels available on request.

Nylon Wheel Only

Wheel Dia. (mm)	Tread Width (mm)	Bore (mm)	Load Cap. (kg)	Hub Width (mm)	Bearing Type	Part Number
80*	30	12	180	34	Roller	MW80RNYX1
100*	30	12	300	34	Roller	MW100RNYX1
125	40	15	400	44	Roller	MW125RNYX1
150	45	20	500	59	Roller	MW150RNYX1
175	45	20	630	59	Roller	MW175RNYX1
200*	50	20	730	59	Roller	MW200RNYX1
250	60	25	1300	88	Roller	MW250RNYX1

* Alternative Hub widths & Bore sizes available - call Sales for details.

Higher load capacities and Stainless steel brackets are available across the whole range, please ask for details.